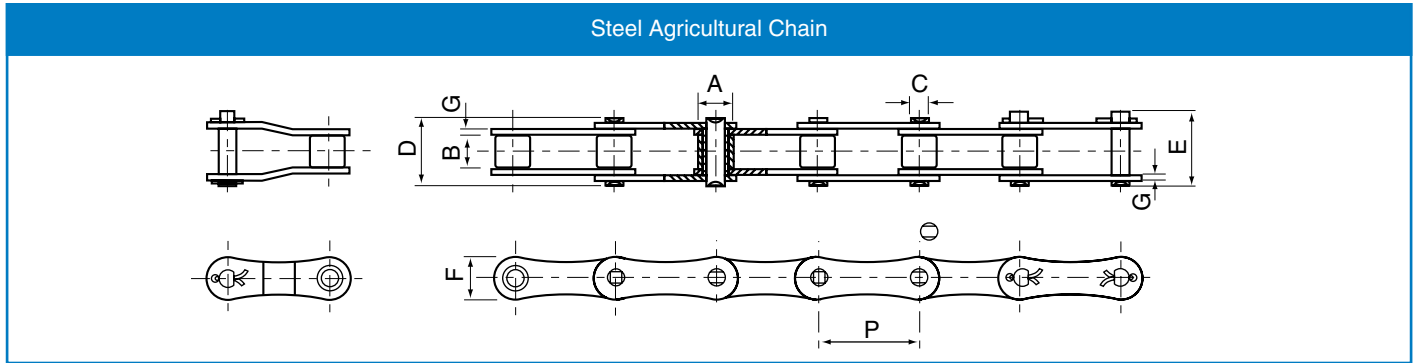


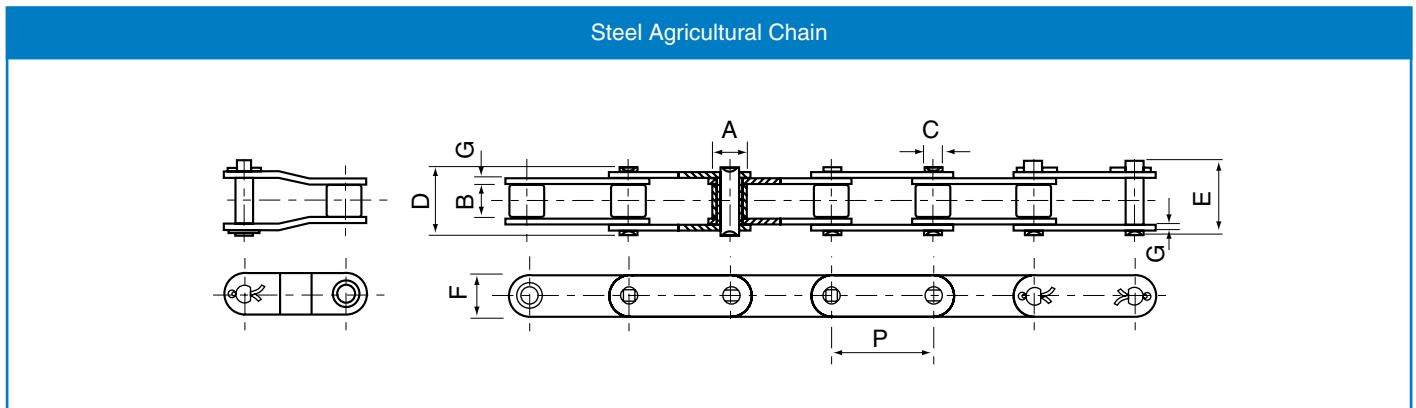
# Agricultural Chain

## Steel Agricultural Chain



Chain number	Pitch	Roller diameter	Width between inner plates	Pin diameter	Pin length		Side plate height	Plate thickness	Minimum tensile strength	Average tensile strength	Weight
	P	A	B	C	D	E	F	G	kN	kN	kg/m
S32	29.21	11.43	15.88	4.45	26.70	28.80	13.20	1.80	8.00	21.60	0.86
S42	34.93	14.27	19.05	7.00	34.30	37.00	19.80	2.80	27.00	50.80	1.60
S45	41.40	15.24	22.23	5.72	37.70	40.40	17.30	2.80	18.00	36.10	1.66
S52	38.10	15.24	22.23	5.72	37.70	40.40	17.30	2.80	18.00	36.10	1.68
S55	41.40	17.78	22.23	5.72	37.70	40.40	17.30	2.80	18.00	36.10	1.80
S55X	41.40	15.88	20.00	8.28	38.00	40.70	20.00	3.00	50.00	55.00	2.20
S55R	41.40	17.78	22.23	8.90	41.00	44.00	22.40	3.50	45.00	73.10	2.49
S62	41.91	19.05	25.40	5.72	40.30	43.00	17.30	2.50	27.00	36.10	1.87
S77	58.34	18.26	22.23	8.90	43.20	46.40	26.20	4.00	45.00	73.10	2.65
S88	66.27	22.86	28.58	8.90	49.80	53.00	26.20	4.00	45.00	73.10	3.25

## Steel Agricultural Chain



Chain number	Pitch	Roller diameter	Width between inner plates	Pin diameter	Pin length		Side plate height	Plate thickness	Minimum tensile strength	Average tensile strength	Weight
	P	A	B	C	D	E	F	G	kN	kN	kg/m
38.4	38.400	15.88	19.05	6.92	33.80	37.00	17.30	2.50	25.00	33.00	1.65
38.4-V	38.400	15.88	18.00	6.92	33.80	37.00	17.30	3.00	31.50	40.00	1.74
38.4-VB	38.400	15.88	19.05	8.27	36.20	39.40	20.50	3.00	45.00	50.00	2.12
CA550	41.400	16.87	19.81	7.19	35.00	38.00	19.30	2.80	39.10	51.20	1.94
CA555	41.400	16.87	12.70	7.19	29.70	33.10	19.30	3.10	39.10	56.00	1.83
CA557	41.400	17.78	20.24	8.00	37.40	40.60	23.10	3.10	55.61	74.30	2.20
CA620	42.010	17.91	24.51	7.19	41.80	45.20	20.20	3.25	39.10	55.10	2.35
CA627	30.000	15.88	19.05	8.28	36.10	39.40	20.50	3.00	50.00	55.00	2.51
CA650	50.800	25.00	19.05	9.53	40.40	44.70	25.00	4.00	90.00	95.00	3.49
CA2060H	38.100	11.91	12.70	5.94	29.74	31.72	17.45	3.25	31.28	40.50	1.50

Every effort has been taken to ensure that the data listed in this catalogue is correct. Challenge accepts no liability for any inaccuracies or damage caused. All dimensions in millimetres unless otherwise stated.